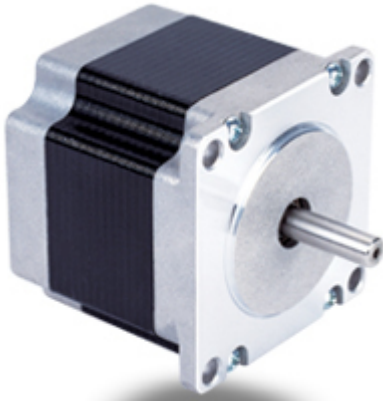
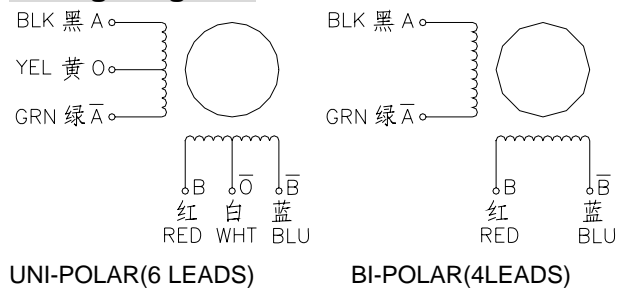


2 Phase Hybrid Stepper Motor

23H2A series-Size 57mm(1.8 degree)

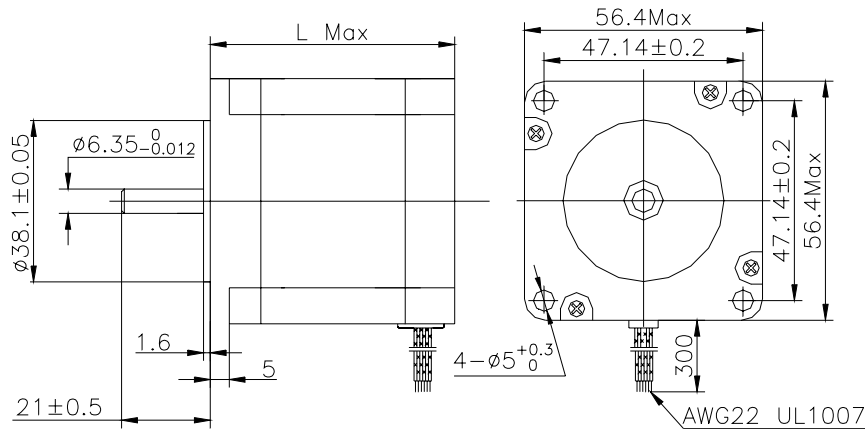

Wiring Diagram:

Electrical Specifications:

Series Model	Old P/N	Motor Length (mm)	Rated Current (A)	Phase Resistance (ohm)	Phase Inductance (mH)	Holding Torque (N.cm Min)	Detent Torque (N.cm Max)	Rotor Inertia (g.cm ²)	Lead Wire (No.)	Motor Weight (g)
23H2A3610	23HS0601	41	1.0	5.2	5.5	40	2.5	150	6	470
23H2A3406	23HS0405	41	0.62	12	24	55	2.5	150	4	470
23H2A3420	23HS0408	41	2.0	1.2	2.5	55	2.5	150	4	470
23H2A4406	23HS4412	45	0.62	12	26	80	2.8	190	4	520
23H2A4425	23HS4425	45	2.5	1.0	2.2	80	2.8	190	4	520
23H2A5406	23HS5406	51	0.62	13	28	90	2.8	190	4	560
23H2A5410	23HS5410	51	1.0	5.8	17	90	2.8	190	4	560
23H2A5425	23HS5425	51	2.5	1.2	3.2	90	2.8	190	4	560
23H2A5608	23HS5602	51	0.8	6.8	9.2	70	3.0	230	6	560
23H2A6615	23HS6602	56	1.5	3.2	5.5	80	3.5	280	6	680
23H2A6425	23HS6403	56	2.5	1.2	4.8	110	3.5	280	4	680
23H2A6430	23HS6430	56	3.0	0.8	2.4	110	3.5	280	4	680
23H2A6442	23HS6404	56	4.2	0.4	1.2	110	3.5	280	4	680
23H2A6415	23HS6415	56	1.5	3.6	13.8	110	3.5	280	4	680
23H2A7410	23HS7401	64	1.0	7.5	20	150	5.0	380	4	850
23H2A7425	23HS7425	64	2.5	1.5	4.5	150	5.0	380	4	850
23H2A7430	23HS7430	64	3.0	0.8	2.3	150	5.0	380	4	850
23H2A7442	23HS7404	64	4.2	0.55	1.2	150	5.0	380	4	850
23H2A8615	23HS8603	76	1.5	4.5	7.8	140	6.0	440	6	1050
23H2A8425	23HS8425	76	2.5	1.8	6.5	180	6.0	440	4	1050
23H2A8430	23HS8430	76	3.0	1.0	3.5	180	6.0	440	4	1050
23H2A8442	23HS8404	76	4.2	0.6	1.8	180	6.0	440	4	1050

23H2A1430	23HS1430	100	3.0	1.4	5.5	250	10	680	4	1250
23H2A1442	23HS1410	100	4.2	0.8	3.0	250	10	680	4	1250
23H2A2430	23HS2430	112	3.0	1.6	6.8	280	12	800	4	1400
23H2A2442	23HS2410	112	4.2	0.9	3.8	280	12	800	4	1400

*Note: We can manufacture products according to customer's requirements.

Dimensions: unit=mm



Motor Length:

Model	Length
23H2A0XXX	41 mm
23H2A4XXX	45 mm
23H2A5XXX	51 mm
23H2A6XXX	56 mm
23H2A7XXX	64 mm
23H2A8XXX	76 mm
23H2A1XXX	100 mm
23H2A2XXX	112 mm